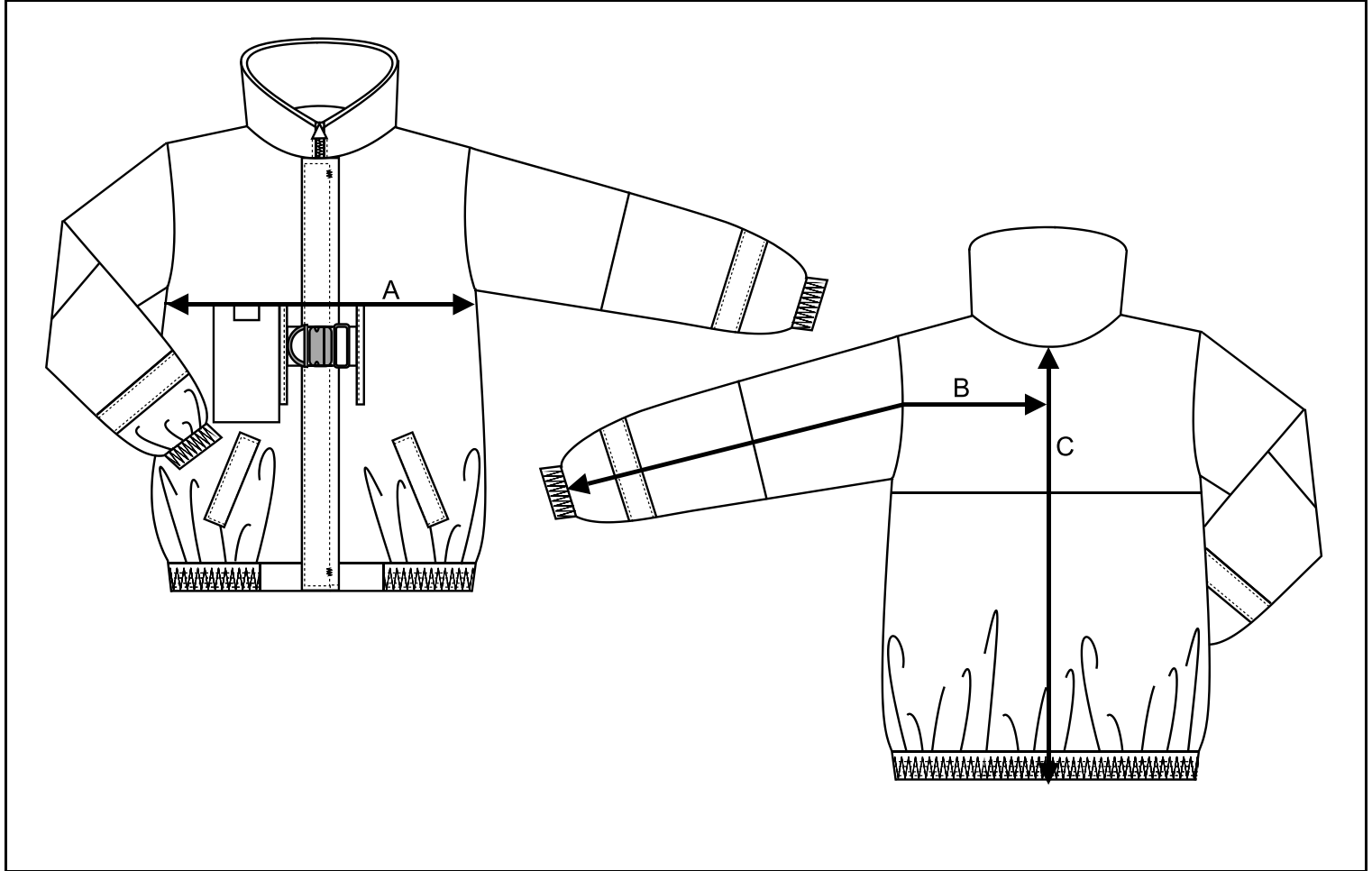


Description:-	Sea Explorer	Style No:-	ALL	Pattern ID:	Explorer
---------------	--------------	------------	-----	-------------	----------

All measurements in cm. Garment Circumference	Issue Date	07/03/2013
-----------------------------------------------	------------	------------



Location	Key	XS	S	M	L	XL	XXL	XXXL
Body measurement to fit chest	A	96.5	101.5	107	112	117	122	127
Sleeve (Centre back to sleeve hem)	B	88.5	90	92	94	95.5	97	99
Centre back length (Centre back to hem)	C	75.5	76.75	78	79.25	80.5	81.75	83

All sizes in centimetres (CM)