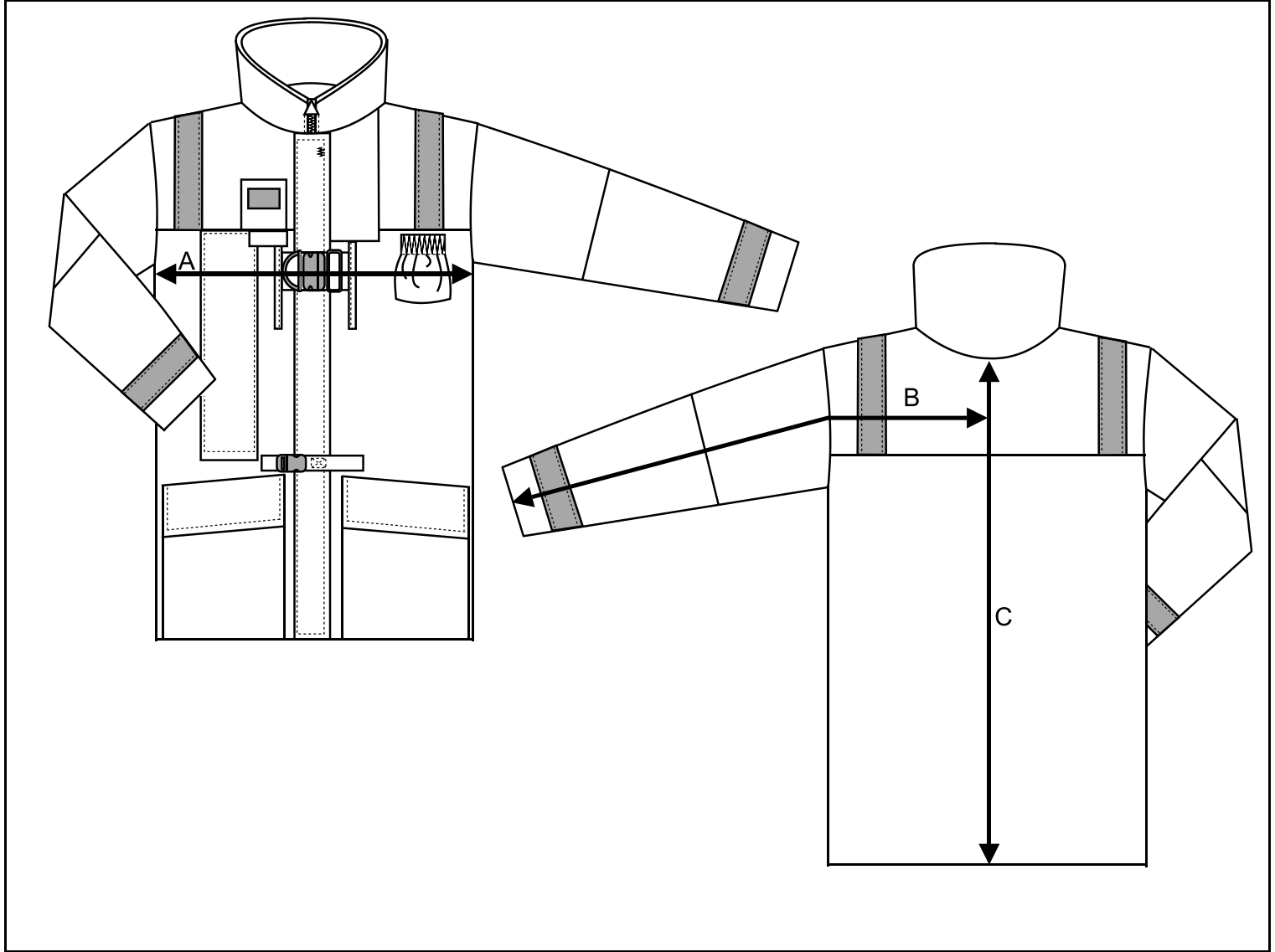


Description:-	All Mariner & BSi 1-5 styles	Style No:-	ALL	Pattern ID:	ALL
---------------	------------------------------	------------	-----	-------------	-----

All measurements in cm. Garment Circumference	Issue Date	07/03/2013
---	------------	------------



Location	Key	XS	S	M	L	XL	XXL	XXXL
Body measurement to fit chest	A	86.5	96.5	106.5	117	127	132	137
Sleeve (Centre back to sleeve hem)	B	75	78	81	84	87	90	93
Centre back length (Centre back to hem)	C	86.5	87.5	91	94	97	98.5	100.5

All sizes in centimetres (CM)